



# Rein™ gen2 5.1 sound system

---

QUICK GUIDE  
GUÍA RÁPIDA DE USO



## PREPARATION FOR USE

### Unpacking and Set Up

- Remove the Soundbar from the carton and remove all packing material from the Soundbar. Save the packing material, if possible, in case the Soundbar ever needs to be serviced or transported.

The original carton and packing material is the only safe way to pack your Soundbar to protect it from damage in transit.

- Remove any descriptive labels or stickers on the front or top of the cabinet. Do not remove any labels or stickers from the back or bottom of the cabinet.

- Place your Soundbar on a level surface such as a table, desk or shelf, convenient to an AC outlet, out of direct sunlight, and away from sources of excess heat, dirt, dust, moisture, humidity, or vibration.

- Unwind the Line cord connecting the AC adapter and extend it to its full length.

### Power Source

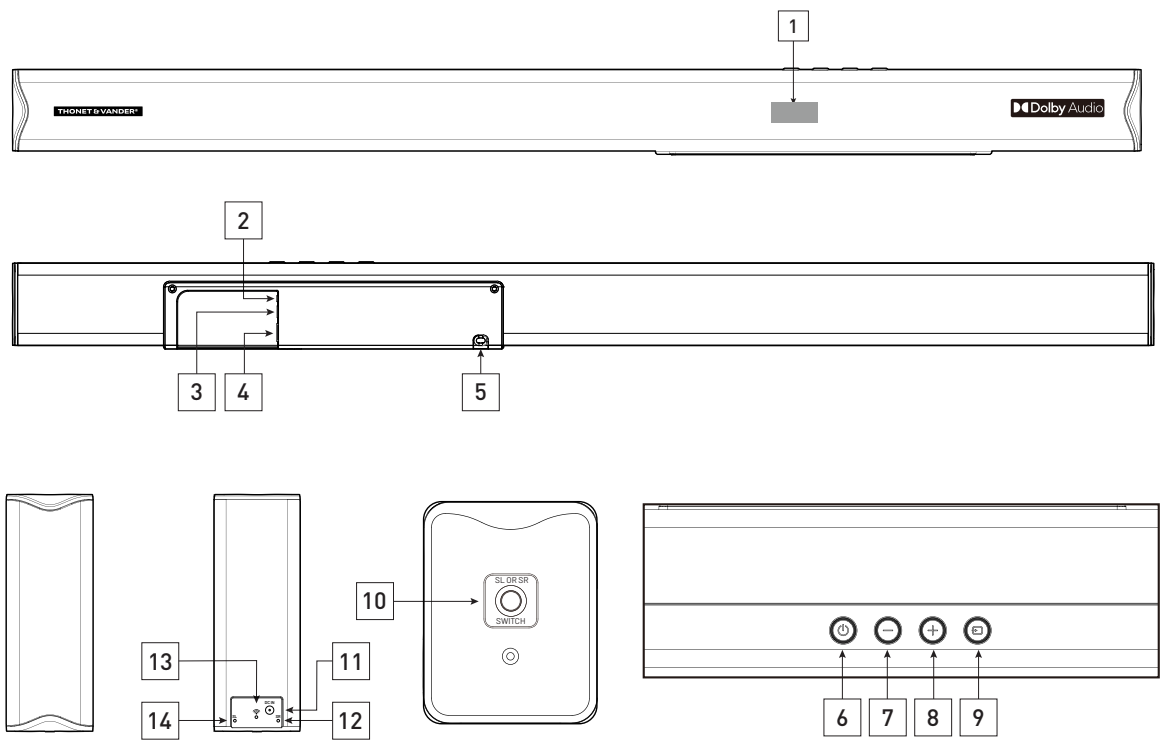
This Soundbar is designed to operate in 110V -240V ~ 50Hz/60Hz

### Important Notes

- Safety and operating instruction manual should be retained for future reference.
- The device should not be exposed to dripping, splashing or placed in a humid atmosphere such as a bathroom.
- Do not install the product in the following areas:
  - Places exposed to direct sunlight or close to radiators.
  - On top of other stereo equipment that radiate too much heat
  - Blocking ventilation or in a dusty area.
  - Areas where there is constant vibration.
  - Humid or moist places.
  - Do not place near candles or other flames.
- Operate the product only as instructed in this manual.
- Before turning on the power for the first time, make sure the soundbar is plugged to power outlet.
- For safety reasons, do not remove any covers or attempt to gain access to the inside of the product. Refer any servicing to qualified personnel.
- Do not attempt to remove any screws, or open the casing of the unit; there are no user serviceable parts inside. Refer all servicing to qualified service personnel.

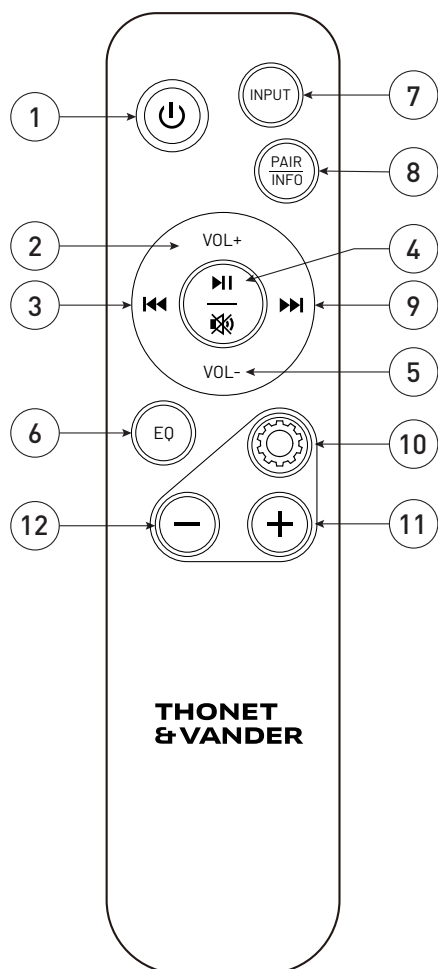
On Samsung® Smart TVs, the audio format of the optical output must be set to PCM FORMAT. Also the input format must be set to PCM FORMAT. You can find this setting within your TV menu in the Audio section. Usually, it is found within a sub-menu called "Expert Configuration".

**PRODUCT DIAGRAM**



- 1\_LED DISPLAY
- 2\_LINE IN / AUX
- 3\_OPTICAL
- 4\_TV (ARC)
- 5\_AC IN
- 6\_POWER / STAND BY
- 7\_VOL-
- 8\_VOL+
- 9\_INPUT
- 10\_Surround Channel Switch Button (SL or SR)  
(Allows you to switch the position of the L and R channels.)
- 11\_DC IN.
- 12\_Wireless surround SR channel LED light.
- 13\_LED indicator: Indicates the pairing between soundbar and wireless surround speaker
- 14\_Wireless surround SL channel LED light.
- 15\_PAIR: It automatically pairs the soundbar with subwoofer.
- 16\_LED indicator: It indicates pairing between the soundbar and the subwoofer.

**REMOTE CONTROL**





- 1\_** Standby mode for power on/off.
- 2\_** Volume+: Master volume up.
- 3\_** Previous button: Previous track (Only work under BT mode of smartphone)
- 4\_** Play/Pause (Only work under BT mode of smartphone); Press button for Mute or unmute on other modes.
- 5\_** Volume - : Master volume down.
- 6\_** EQ: Press this button in a short time to toggle EQ mode from EQ1 to EQ4; Press and hold this button for 3s to trigger master reset.  
EQ1=MUSIC, EQ2=MOVIE, EQ3=NEWS, EQ4=SPORT
- 7\_** INPUT: Press Input button to select input source: AUX, TV (ARC), Optical, Bluetooth.
- 8\_** PAIR: Connect or disconnect to the pairing device.(Press the button more than 2 seconds).  
-On Bluetooth mode, press and hold button more than 2 seconds for bluetooth device pairing or reconnect last paired bluetooth device.
- INFO:** Press button In short time to check signal format on TV (ARC) / Optical mode base on device with Dolby decoder
- 9\_** Next button: Next track. (Only work under BT mode of smartphone)
- 10\_** Setup. Press this button in a short time for setup to: adjust Bass level +/- (-5 to +5, 0 by default), adjust Treble level +/- (-5 to +5, 0 by default), adjust Center level +/- (-5 to +5, 0 by default), adjust Surround level +/- (-5 to +5, 0 by default)
- 11\_** + : Under setup button and selects "+" increase Bass level, increase Treble level +, increase Center level +, increase Surround level +.
- 12\_** - : Under setup button and selects "-" decrease Bass level, decrease Treble level +, decrease Center level +, decrease Surround level -.

## BASIC OPERATION

- 1\_Press the power button on either the remote control or the soundbar to turn on the soundbar.
- 2\_Switch on the connected device (such as TV, playback devices, game console etc).
- 3\_Press the input button on either the remote control or the soundbar to select your desired input source.

INPUT SOURCE	DESCRIPTION
TV (ARC) / OPTICAL	Audio from TV (via TV ARC port)
OPTICAL	Audio from TV (via OPTICAL jack)
AUX	Sound from a connected device (via AUX port)
BLUETOOTH	Sound from a Bluetooth connected device

## POWER ON AND OFF

- 1\_Connect the sound bar's power cable to the power supply. When you connect the sound bar to the power supply, the unit will enter standby mode and display "--"
- 2\_Switch on the soundbar by short-pressing  button on soundbar or on remote controller, the default input mode will automatically appear on display screen.
- 3\_Press the  button on soundbar or on the remote controller to switch it off, and then disconnect the main plug from the main socket if you want to switch the unit off completely.

## AUTO STAND-BY

- 1\_The unit will automatically turn to standby mode when no audio input is received for 20 minutes.
- 2\_If the TV or the external unit is disconnected, switched it off
  - To switch the unit off completely, remove the mains plug from the socket.
  - Please turn the unit off completely to save energy when not in use.
- 3\_The screen will be turned off for around 120 seconds without any operation, when pressing the power buttons on the soundbar or on remote control or using the phone's volume increase or decrease, the display will be waken up again.

## SELECT MODE

Press the button repeatedly on the soundbar or press the INPUT button on the remote control to select the Bluetooth, AUX, OPTICAL, TV (ARC). The selected mode will show on the display. Below are input mode names appearing in the soundbar display:  
-BT-Bluetooth Pairing mode, AUX-AUX mode, OPT-Optical mode, ARC-TV(ARC) mode.

## PLAYING AUDIO VIA BT CONNECTION

Through Bluetooth, connect the Soundbar with your Bluetooth device (such as an iPad, iPhone, iPod touch, Android phone, or laptop), and then you can listen to the audio files stored on the device through your Soundbar speakers.

### What you need

- A device which supports Bluetooth profile A2DP, AVRCP and with Bluetooth version as 5.4.
- The maximum operational range between the Soundbar and a Bluetooth device is approximately 8 meters (26.2 feet).

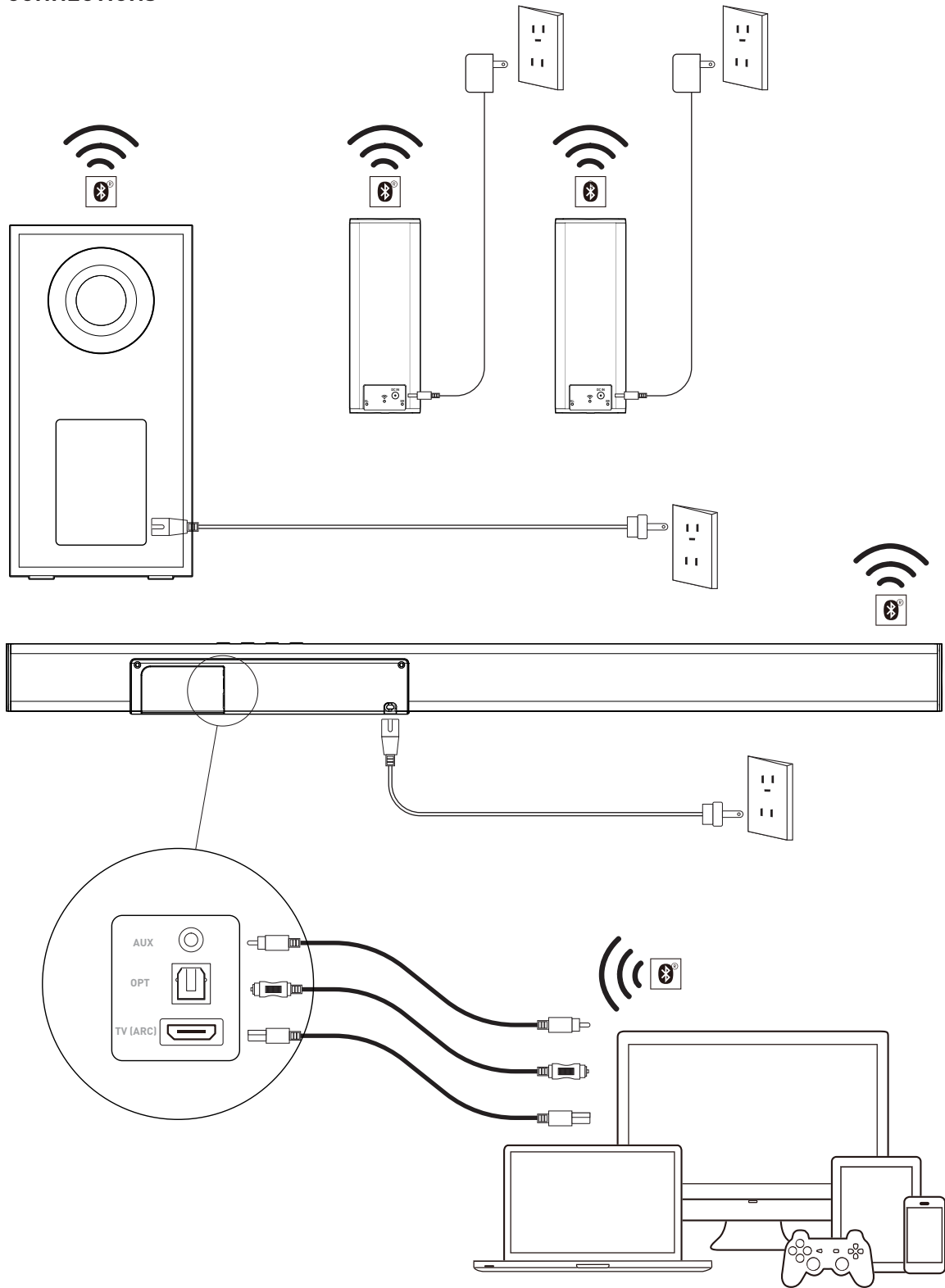
### Procedure

- 1** Turn on the soundbar system and short-press button repeatedly on the unit or INPUT button on the remote control to switch the soundbar system to Bluetooth mode and LED display on the main soundbar will flicker in the Bluetooth pairing mode.
- 2** On the Bluetooth device, switch on Bluetooth, search for and select T&V REIN gen2 on your Bluetooth list to start connection (see the user manual of the Bluetooth device on how to enable Bluetooth).
- 3** Wait until you hear the voice prompt from the Soundbar. If it is successfully connected, stops flickering and is displayed **BT** on the display panel.
- 4** Select and play audio files or music on your Bluetooth device.
  - During play, if a call is coming, music is paused. Play resumes when the call ends
  - If your Bluetooth device supports AVRCP profile, on the remote control you can press **9** to skip to a track, Press and hold PAIR button on the remote control for more than 2 seconds to disconnect paired bluetooth device or reconnect last disconnected bluetooth device.
- 5** You can use the volume buttons on the soundbar or on the remote controller to adjust the volume to your requirements
- 6** To exit Bluetooth, select other input source.
  - When your switch back to Bluetooth mode, Bluetooth connection remains active.

### Notes:

- Having connection problems? Remove REIN gen2 from your device's Bluetooth history and ensure it's less than 10 meters away. Then try pairing again. To get the best sound quality, make sure there is a clear line of sight between the connected device and your soundbar.
- If your pairing device or connected device is switched off or manual disconnected, the soundbar will automatically enter pairing mode.
- The music streaming may be interrupted by obstacles between the device and Soundbar, such as wall, metallic casing that covers the device, or other devices nearby that operate in the same frequency.
- If you want to connect your Soundbar with another Bluetooth device, press and hold Pair on the remote control to disconnect the currently connected Bluetooth device.

CONNECTIONS



### PLAYING AUDIO VIA AUDIO INPUT(AUX)CONNECTION

- Use a 3.5mm to 3.5mm audio cable to connect the PC, tablet, smartphone, TV's headphone socket to the AUX socket on the soundbar.
- Use a RCA to 3.5mm audio cable to connect the Blue Ray DVD Player / TV's audio output sockets to the AUX socket on the soundbar.
- Then short-press the button on the soundbar or on the remote controller to switch to audio input mode with LED display lighting up .
- In this mode, playback can only be controlled on your connected device

**Note:** For some computer, you may need to access the audio control panel to manually set the soundbar as the picture in the previous page.

### OPTICAL MODE

Using an optical cable, connect the OPTICAL connector on your Soundbar (Optical digital input) to the OPTICAL OUT connector on the TV or other device. The TV or other device must have an optical digital output.

Proceed as follows:

- Connect the optical cable to the OPTICAL jack on the rear of the soundbar.
- Connect the other end of the optical cable to audio output jack on TV or other device.
- Start playing on the TV
- Press the source input button on the soundbar or remote control to activate the corresponding mode (the OPTICAL mode) to open optical digital input of your soundbar. After successfully connected, the LED display will show **OPT** Operate your audio device directly for playback features.
- Press the VOL +/- buttons to adjust the volume to your desired level.

**1\_**When connecting a device such as a TV/Set-top box/ DVD/ game console with optical cable, set the audio output mode of the device to Dolby or Auto mode (digital optical output).

**2\_**Do not bend the optical cable, otherwise the cable inside will be damaged.

### TV(ARC) MODE

**1\_**The soundbar supports TV (ARC) with audio return channel (ARC). You can hear the TV audio through your soundbar by using a single HDMI(ARC) cable. But on condition that your TV is ARC compliant.

**2\_**Using a high speed TV (ARC) cable, connect the TV (ARC) connector on the soundbar to the TV (ARC) connector on the TV. The TV (ARC) connector on the TV might be labeled differently. For details, see the user manual of your TV.

**3\_**When TV (ARC) is connected, TV sound setting in "sound output" mode should be set as <external Dolby or Auto mode>, in addition, digital audio output mode should be set as <automatic> or <decoded output as Dolby>. When the TV (ARC) cable is connected, the TV digital audio output is set as Dolby or Auto mode. Then start playing music on the TV.

**4\_**Press "INPUT" button on the remote control or "STANDBY" button on soundbar to select - TV (ARC) mode. Different TV might be different setting, please refer to your TV User Manual.

**5\_**Use the volume buttons to adjust the volume to your requirements.

**6\_**You can also change the audio settings by using the relevant buttons on the remote control.

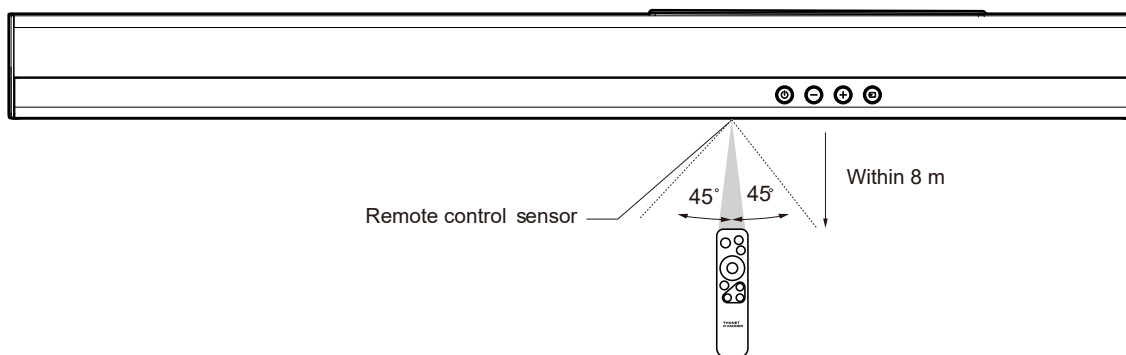
#### Notes:

**1\_**The TV is connected to a TV (ARC) port with sound bar. Different TVs might have different setup menus, but the operation approach is the same.

**2\_**If needs to connect set-up box meanwhile, please firstly connect the TV (ARC) connector and paired to the soundbar. Then connect the set-up box.

## OPERATING RANGE OF THE REMOTE CONTROL

- When the unit is mounted on a wall, point the remote control at the remote control sensor on the bellowed panel. The provided Remote Control allows the unit to be operated from a distance.
- Even if the Remote Control is operated within the effective range 26.2 feet (8m), remote control operation may be impossible if there are any obstacles between the unit and the remote control.
- If the Remote Control is operated near other products which generate infrared rays, or if other remote control device using infra-red rays are used near the unit, it may operate incorrectly. Conversely, the other products may operate incorrectly.



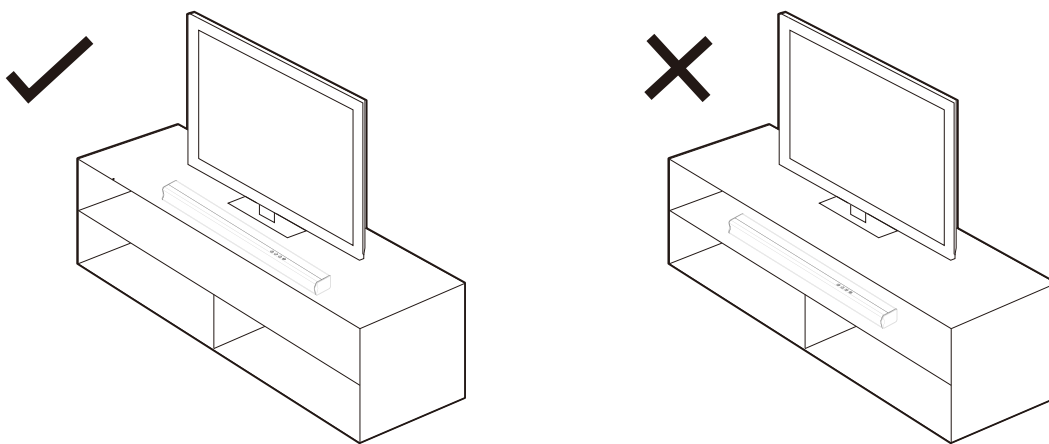
## PAIR UP SOUNDBAR WITH SATELLITES AND SUBWOOFER

- 1** Connects REIN gen2 soundbar system to power supply, soundbar system will be in standby mode: " - - " will be displayed on main soundbar, blue LED indicator on the rear of satellites and on the rear of wireless subwoofer is slowly flashing, means main soundbar now is not pairing with wireless surround speaker and wireless subwoofer.
- 2** Press STANDBY button on main soundbar or on remote control to power on, press INPUT button to select AUX input mode.
- 3** Press and hold PAIR button on the remote control, "SUB PAIR" will be displayed on main soundbar. Meanwhile, press and hold PAIR button on the rear of the satellites and on the rear of wireless subwoofer until you see LED indicator on the rear becomes quickly flashing, they are now in pairing mode.
- 4** After about 20-30 seconds, the blue LED indicator on the satellites and on the rear of wireless subwoofer will stop flashing and remain blue to confirm a successful pairing with the main soundbar.
- 5** The units will now be able to pair automatically after this initial successful pair, even if they are switched off and on again. Remark : To make a successful pairing, ensure main soundbar, satellites and wireless subwoofer you want to pair with each other is turned on and within connection distance range, and any other pairing devices should be switched off or on standby.

### POSITIONING THE SOUNDBAR

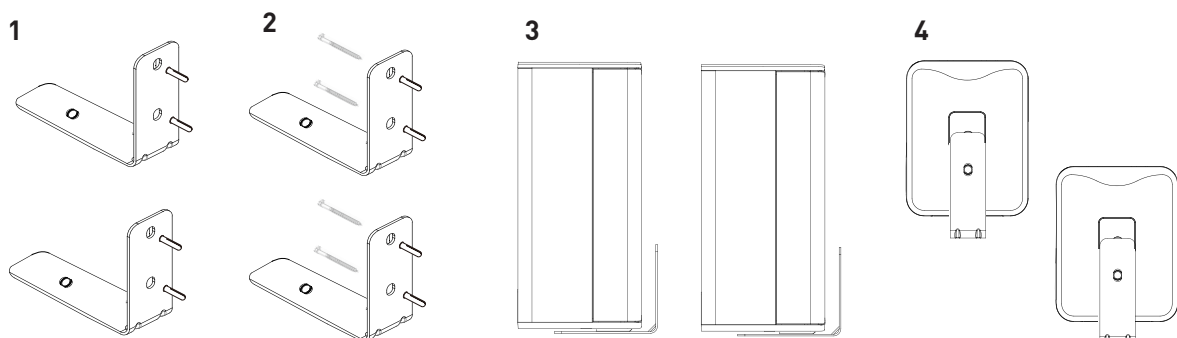
#### Place on a flat surface

Place the soundbar horizontally on a flat surface such as a TV unit or shelves and align it centrally with the TV screen. Allow some space between the speaker and the wall. Don't place inside a cabinet or on a walled shelf. Follow this guidance for best sound output and good airflow around the soundbar.



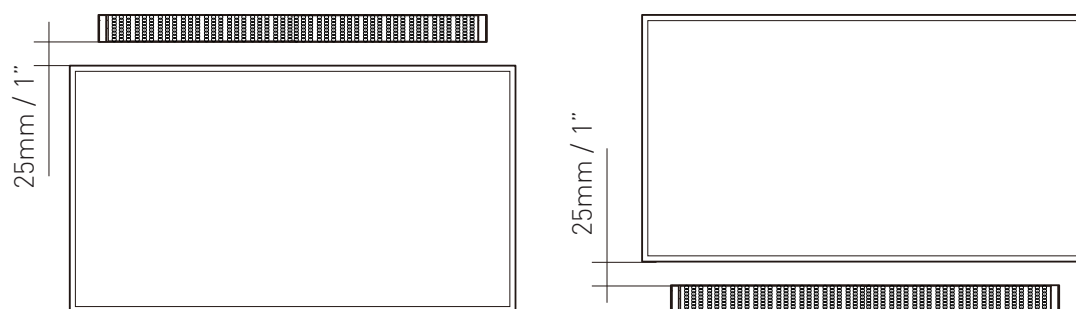
### FOLLOW BELOW STEPS TO MOUNT THE SATELLITES ON THE WALL

- 1\_ Open 4 holes on the wall. For the distance between the 2 holes, pls refer to the soundbar bracket wall mounting.
- 2\_ Fasten the plastic anchors in the 4 holes of the wall mount bracket.
- 3\_ Then attach the provided screws to the plastic anchors and tighten the screws to ensure that the wall mount bracket does not shaking.
- 4\_ Place the surround speakers on bracket with the corresponding holes at the bottom, then fix the provided screws in the bottom of the bracket and the holes of the satellites, then tighten the screws.

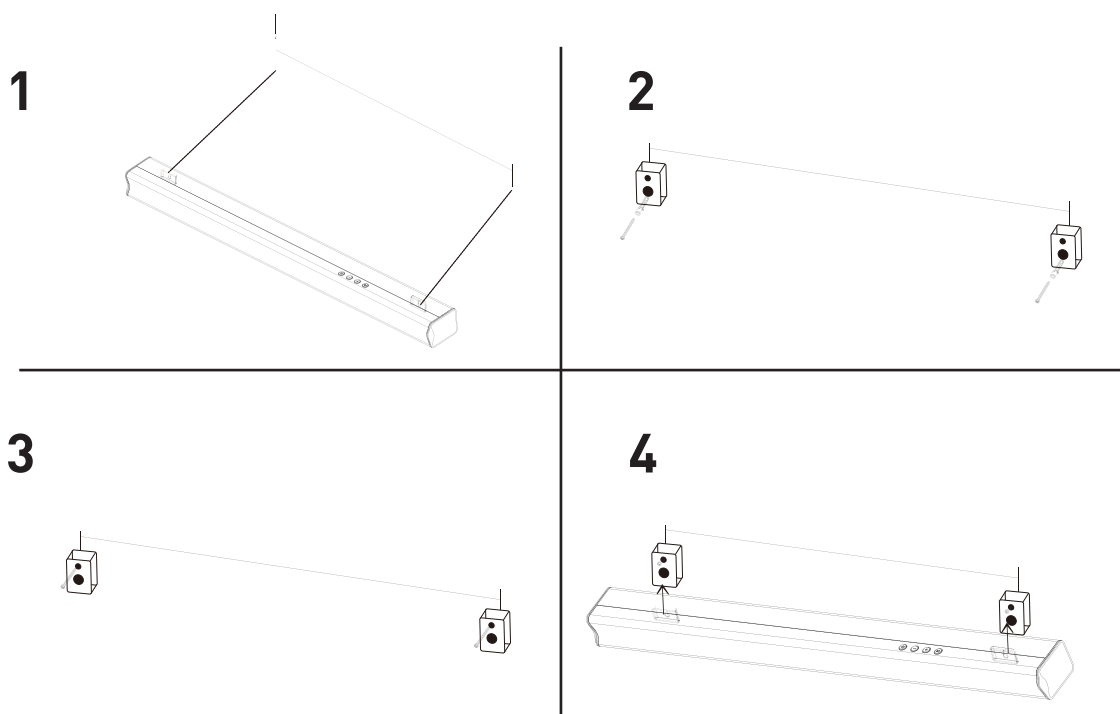


### WALL MOUNTING

Mount the speaker on a firm, vertical, and reinforced area of the wall. On drywall, we recommend screwing it into the studs for added security. For optimal performance, leave a minimum distance of 25 mm (1 inch) between the soundbar and the TV.



1. Make 2 holes on the wall with distance same as the wall bracket on the soundbar
2. Put the plastic anchors onto the wall and secure the screws to the plastic clip, do not tighten the screws all the way make sure leave some space
3. Attached the 2 EVA pads onto the wall mount bracket. This will make sure that there is enough room between the wall and the soundbar outlet, minimum 15mm
4. Once the screws securely fastened, hang the sound bar over by inserting the screws onto the wall mount bracket





## PREPARACIÓN PARA EL USO

### Desempaquetado y configuración

- Retirar la barra de sonido de la caja y quitar todo el material de embalaje. Guardar el material de embalaje, si es posible, por si alguna vez la barra de sonido necesita ser reparada o transportada. La caja y el embalaje originales son la única forma segura de empaquetar la barra de sonido y protegerla de daños durante el traslado.
- Quitar cualquier etiqueta o calcomanía descriptiva del frente o la parte superior del gabinete.
- No retirar las etiquetas o calcomanías de la parte trasera o inferior del gabinete.
- Colocar la barra de sonido sobre una superficie nivelada, como una mesa, escritorio o estante, cerca de una toma de corriente, fuera de la luz solar directa y alejada de fuentes de calor excesivo, suciedad, polvo, humedad o vibraciones.
- Desenrollar el cable de alimentación que conecta el adaptador de corriente (AC) y extenderlo por completo.

### Fuente de alimentación

Esta barra de sonido está diseñada para funcionar con una tensión de 110V - 240V ~ 50Hz / 60Hz.

### Notas importantes

- Conservar el manual de instrucciones de funcionamiento para futuras consultas.
- Evitar exponer el aparato a goteos, salpicaduras o colocarlo en ambientes húmedos.

### No instalar el producto en las siguientes áreas:

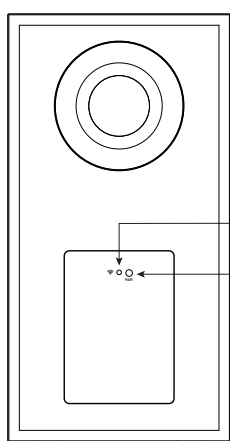
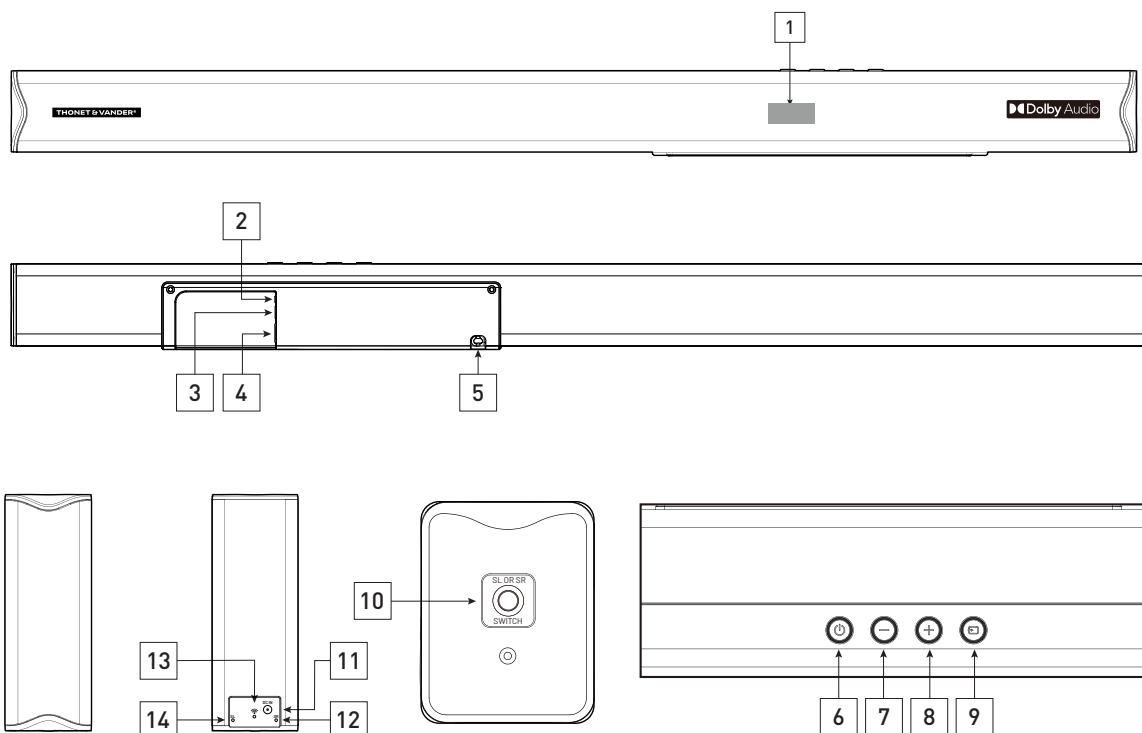
- Lugares expuestos a la luz solar directa o cerca de radiadores.
- Sobre otros equipos de audio que emitan demasiado calor.
- Zonas con ventilación bloqueada o exceso de polvo.
- Áreas con vibraciones constantes.
- Lugares húmedos o mojados.
- No colocar cerca de velas u otras fuentes de fuego.
- Operar el producto únicamente según las instrucciones de este manual.
- Antes de encender por primera vez, verificar que la barra de sonido esté conectada a una toma de corriente.
- Por razones de seguridad, no retirar tapas ni intentar acceder al interior del producto. Remitir cualquier reparación a personal calificado.
- No quitar tornillos ni abrir la carcasa del equipo; no contiene piezas reparables por el usuario. Remitir todo servicio técnico a personal especializado.

- En televisores inteligentes Samsung®, configurar el formato de audio de la salida óptica en PCM FORMAT.

- Configurar también el formato de entrada en PCM FORMAT.

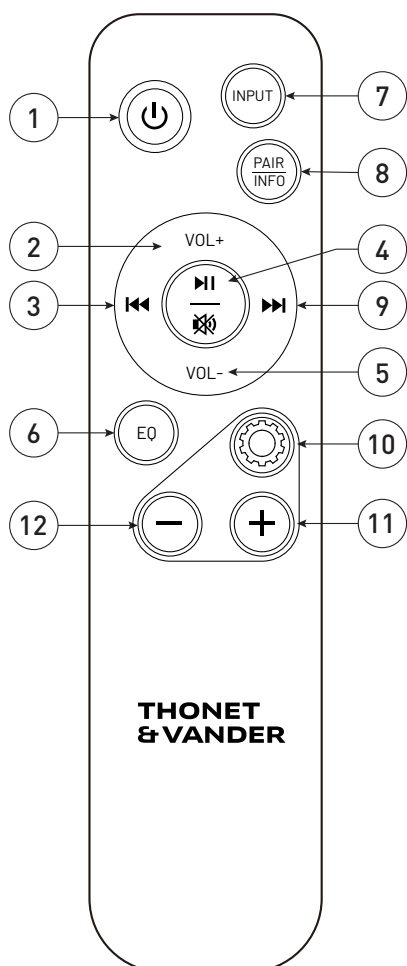
Esta opción se encuentra en el menú del televisor, dentro de la sección Audio, normalmente en el submenú "Configuración experta."

DIAGRAMA DE PRODUCTO



- 1\_DISPLAY LED
- 2\_ENTRADA DE LÍNEA / AUX
- 3\_OPTICO
- 4\_TV (ARC)
- 5\_ENTRADA DE CORRIENTE AC
- 6\_ENCENDIDO / STAND BY
- 7\_VOL-
- 8\_VOL+
- 9\_INPUT
- 10\_Botón de cambio de canal Surround (SL o SR)  
(Permite intercambiar la posición del canal.
- 11\_Entrada de corriente continua (DC IN).
- 12\_Luz LED del canal surround inalámbrico SR.
- 13\_Indicador LED: indicar el emparejamiento entre la barra de sonido y el parlante surround inalámbrico.
- 14\_Luz LED del canal surround inalámbrico SL.
- 15\_Botón PAIR: emparejar automáticamente la barra de sonido con el subwoofer.
- 16\_Indicador LED: indicar el emparejamiento entre la barra de sonido y el subwoofer.

## CONTROL REMOTO



**1**\_STAND BY para encender/apagar.

**2**\_Volumen+: Subir volumen.

**3**\_Botón Previo: Pista anterior (solo funciona con el modo Bluetooth del smartphone).

**4**\_Reproducir/Pausa (solo funciona con el modo Bluetooth del smartphone): Pulse el botón para silenciar o activar el sonido.

**5**\_Volumen-: Bajar volumen.


**6**\_EQ: Pulse este botón brevemente para cambiar el modo EQ de EQ1 a EQ4. Manténgalo pulsado durante 3 segundos para reiniciar. EQ1=MÚSICA, EQ2=PELÍCULA, EQ3=NOTICIAS, EQ4=DEPORTES

**7**\_ENTRADA: Pulse el botón de entrada para seleccionar la fuente de entrada: AUX, TV (ARC), Óptica, Bluetooth.

**8**\_EMPAREJAR: Conectar o desconectar el dispositivo emparejado (pulsar el botón durante más de 2 segundos). En modo Bluetooth, mantenga pulsado el botón durante más de 2 segundos para emparejar el dispositivo Bluetooth o reconectar el último dispositivo Bluetooth emparejado.

**INFO**: Pulse el botón brevemente para comprobar el formato de la señal en el televisor (ARC) o en el modo óptico, según el dispositivo con decodificador Dolby.

**9**\_Botón Siguiente: Siguiente pista. (Solo funciona en el modo Bluetooth del smartphone).

**10**\_Configuración. Pulse  brevemente para configurar: ajustar el nivel de graves +/- (de -5 a +5, 0 por defecto), ajustar el nivel de agudos +/- (de -5 a +5, 0 por defecto), ajustar el nivel central +/- (de -5 a +5, 0 por defecto), ajustar el nivel de satélites +/- (de -5 a +5, 0 por defecto).

**11**\_En el botón de configuración, seleccione "+" para aumentar el nivel de graves, aumentar el nivel de agudos +, aumentar el nivel central +, aumentar el nivel de satélites +.



**12**\_En el botón de configuración, seleccione "-" para disminuir el nivel de graves, disminuir el nivel de agudos -, disminuir el nivel central -, disminuir el nivel de sonido de satélites -.

## FUNCIONAMIENTO BÁSICO

- 1\_ Pulse el botón de encendido del control remoto o de la barra de sonido para encenderla.
- 2\_ Encienda el dispositivo conectado (como un televisor, reproductores de vídeo, consola de videojuegos, etc.).
- 3\_ Pulse el botón de entrada del control remoto o de la barra de sonido para seleccionar la fuente de entrada deseada.

FUENTE DE AUDIO	DESCRIPCIÓN
TV(ARC)	Audio del televisor (a través del puerto TV ARC)
OPTICO	Audio del televisor (a través del conector ÓPTICO)
AUXILIAR	Sonido de un dispositivo conectado (a través del puerto AUX)
BLUETOOTH	Sonido de un dispositivo conectado por Bluetooth

## ENCENDIDO Y APAGADO

- 1\_ conecte le cable de alimentacion de la barra a la alimentación Al conectar la barra de sonido a la corriente, la unidad entrará en modo de espera y mostrará "--"
- 2\_ Encienda la barra de sonido pulsando brevemente el botón  de la barra o del control remoto. El modo de entrada predeterminado aparecerá automáticamente en la pantalla.
- 3\_ Pulse el botón  de la barra de sonido o del control remoto para apagarla y, a continuación, desconecte el cable de alimentación de la toma de corriente si desea apagar la unidad por completo.

## MODO DE ESPERA AUTOMÁTICO

- 1\_ La unidad pasará automáticamente al modo de espera si no se recibe señal de audio durante 20 minutos.
- 2\_ Si el televisor o la unidad externa están desconectados, apáguelos.
  - Para apagar la unidad por completo, desenchúfela de la toma de corriente.
  - Apague la unidad por completo cuando no la utilice para ahorrar energía.
- 3\_ La pantalla se apagará durante unos 120 segundos sin ninguna operación. Al pulsar los botones de encendido de la barra de sonido o del control remoto, o al subir o bajar el volumen del teléfono, la pantalla se activará de nuevo.

## SELECCIONAR MODO

Pulse el botón repetidamente en la barra de sonido o pulse el botón INPUT del control remoto para seleccionar el modo Bluetooth, AUX, ÓPTICO, TV (ARC). El modo seleccionado se mostrará en la pantalla.

A continuación, se muestran los nombres de los modos de entrada en la pantalla de la barra - BT Modo de emparejamiento Bluetooth, modo AUX-AUX, modo OPT-Óptico, modo ARC-TV (ARC).

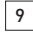
## REPRODUCCIÓN DE AUDIO A TRAVÉS DE LA CONEXIÓN BT

Conectar la barra de sonido con el dispositivo Bluetooth (como un iPad, iPhone, iPod touch, teléfono Android o computadora portátil) y luego podrán reproducirse los archivos de audio almacenados en el dispositivo a través de los altavoces de la barra de sonido.

### Lo que se necesita

- Un dispositivo compatible con los perfiles Bluetooth A2DP y AVRCP, y con versión Bluetooth 5.4.
- El alcance máximo de funcionamiento entre la barra de sonido y un dispositivo Bluetooth es de aproximadamente 8 metros (26,2 pies).

### Procedimiento

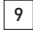
**1** Encienda la barra de sonido y pulse breve y repetidamente el botón  en la unidad o el botón INPUT del control remoto para cambiar al modo Bluetooth. La pantalla LED de la barra de sonido principal parpadeará en el modo de emparejamiento Bluetooth.

**2** En el dispositivo Bluetooth, active el Bluetooth, busque y seleccione T&V REIN gen2 en su lista de Bluetooth para iniciar la conexión (consulte el manual del usuario del dispositivo Bluetooth para saber cómo activarlo).

**3** Espere hasta escuchar la instrucción de voz de la barra de sonido. Si la conexión se ha realizado correctamente, dejará de parpadear y se mostrará **BT** en la pantalla.

**4** Seleccione y reproduzca archivos de audio o música en su dispositivo Bluetooth.

- Durante la reproducción, si recibe una llamada, la reproducción de música se pausa. Se reanuda al finalizar la llamada.

- Si su dispositivo Bluetooth es compatible con el perfil AVRCP, puede pulsar  en el control remoto para saltar a una pista. Mantenga pulsado el botón PAIR del control remoto durante más de 2 segundos para desconectar el dispositivo Bluetooth emparejado o volver a conectar el último dispositivo Bluetooth desconectado.

**5** Puede usar los botones de volumen de la barra de sonido o del control remoto para ajustar el volumen a sus necesidades.

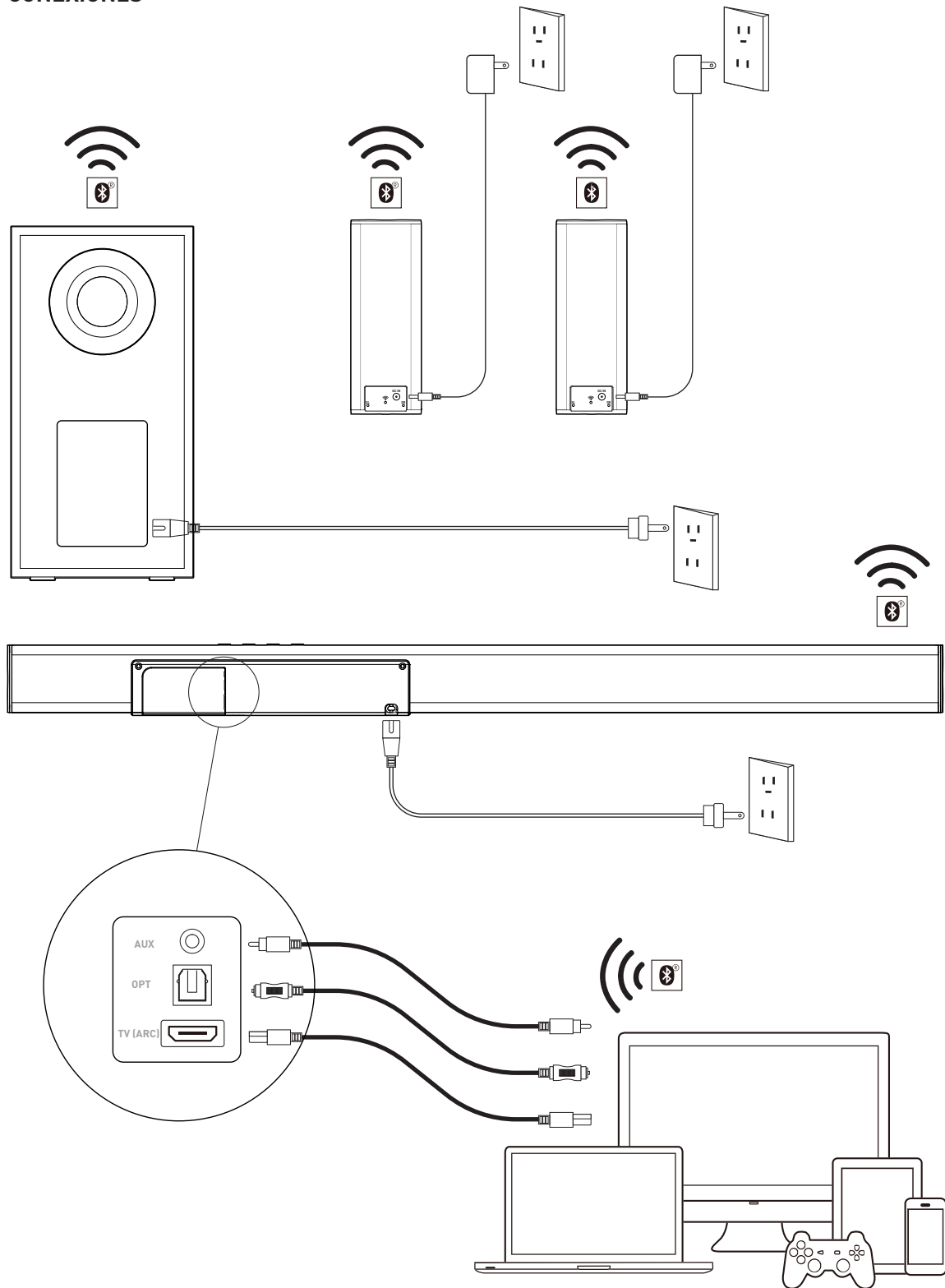
**6** Para salir del modo Bluetooth, seleccione otra fuente de entrada.

- Al volver al modo Bluetooth, la conexión Bluetooth permanece activa.

### Notas:

¿Problemas de conexión? Elimine REIN gen2 del historial de Bluetooth de su dispositivo y asegúrese de que esté a menos de 10 metros de distancia. Vuelva a intentar el emparejamiento. Para obtener la mejor calidad de sonido, asegúrese de que haya una línea de visión despejada entre el dispositivo conectado y la barra de sonido. Si el dispositivo que está emparejando o el dispositivo conectado está apagado o desconectado manualmente, la barra de sonido entrará automáticamente en modo de emparejamiento. La transmisión de música puede verse interrumpida por obstáculos entre el dispositivo y la barra de sonido, como una pared, una carcasa metálica que cubra el dispositivo u otros dispositivos cercanos que operen en la misma frecuencia. Si desea conectar la barra de sonido con otro dispositivo Bluetooth, mantenga pulsado el botón "Emparejar" en el control remoto para desconectar el dispositivo Bluetooth conectado.

CONEXIONES



### REPRODUCCIÓN DE AUDIO A TRAVÉS DE LA CONEXIÓN DE ENTRADA DE AUDIO (AUX)

Utilice un cable de audio de 3,5 mm a 3,5 mm para conectar la salida de auriculares de su PC, tableta, smartphone o televisor a la entrada AUX de la barra de sonido.

- Utilice un cable de audio RCA a 3,5 mm para conectar las salidas de audio del reproductor de DVD Blu-ray o televisor a la entrada AUX de la barra de sonido.
- A continuación, pulse brevemente el botón de la barra de sonido o del mando a distancia para cambiar al modo de entrada de audio y la pantalla LED se iluminará.
- En este modo, la reproducción solo se puede controlar en el dispositivo conectado.

Nota: En algunos ordenadores, es posible que deba acceder al panel de control de audio para configurar manualmente la barra de sonido, como se muestra en la imagen de la página anterior.

### MODO ÓPTICO

El televisor u otro dispositivo debe tener una salida digital óptica.

- Conecte el cable óptico al conector ÓPTICO de la parte posterior de la barra de sonido.
- Conecte el otro extremo del cable óptico a la salida de audio del televisor u otro dispositivo.
- Inicie la reproducción en el televisor.
- Pulse el botón de entrada de fuente de la barra de sonido o del mando a distancia para activar el modo correspondiente (el modo ÓPTICO) y abrir la entrada digital óptica de la barra de sonido. Una vez conectado, la pantalla LED mostrará **OPT**. Utilice su dispositivo de audio directamente para reproducir.
- Pulse los botones VOL +/- para ajustar el volumen al nivel deseado.

**1\_** Al conectar un dispositivo como un televisor, un decodificador, un DVD o una consola de videojuegos con cable óptico, configure el modo de salida de audio del dispositivo en Dolby o Auto (salida óptica digital).

**2\_** No doble el cable óptico, de lo contrario el interior del cable se dañará.

### MODO TV(ARC)

**1\_** La barra de sonido es compatible con TV (ARC) con canal de retorno de audio (ARC). Puede escuchar el audio del televisor a través de la barra de sonido con un solo cable TV (ARC). Esto siempre que su televisor sea compatible con ARC.

**2\_** Con un cable TV (ARC) de alta velocidad, conecte el conector TV (ARC) de la barra de sonido al conector TV (ARC) del televisor. El conector TV(ARC) del televisor puede tener una etiqueta diferente. Para obtener más información, consulte el manual de usuario de su televisor.

**3\_** Al conectar TV (ARC), la configuración de sonido del televisor en el modo de "salida de sonido" debe estar en <Dolby externo o modo automático>. Además, el modo de salida de audio digital debe estar en <Automático> o <Salida decodificada como Dolby>. A continuación, comience a reproducir música en el televisor.

**4\_** Pulse el botón "INPUT" del control remoto o el botón **9** de la barra de sonido para seleccionar el modo TV (ARC). La configuración puede variar según el televisor; consulte el manual de usuario del suyo.

**5\_** Utilice los botones de volumen para ajustar el volumen según sus necesidades.

**6\_** También puede cambiar la configuración de audio con el control remoto.

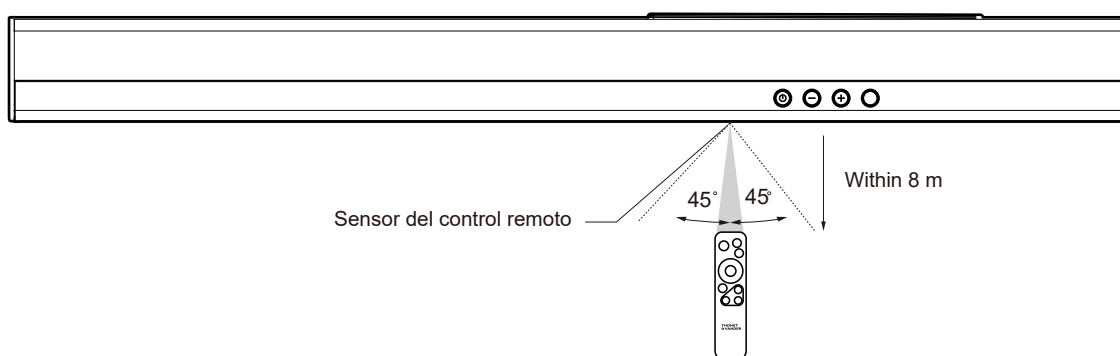
### Notas:

**1\_** El televisor está conectado a un puerto TV (ARC) con una barra de sonido. Los menús de configuración de cada televisor pueden variar, pero el funcionamiento es el mismo.

**2\_** Si necesita conectar un decodificador, primero conecte el conector TV (ARC) y empareje el dispositivo con la barra de sonido. A continuación, conecte el decodificador.

## RANGO DE OPERACIÓN DEL CONTROL REMOTO

- Cuando la unidad esté montada en la pared, apunte el control remoto al sensor del panel inferior. El control remoto incluido permite operar la unidad a distancia.
- Incluso si el control remoto se opera dentro del alcance efectivo de 8 m (26,2 pies), podría resultar imposible si hay obstáculos entre la unidad y el control remoto.
- Si el control remoto se opera cerca de otros productos que generan rayos infrarrojos, o si se utiliza otro dispositivo de control remoto que los utilice cerca de la unidad, podría funcionar incorrectamente. A su vez, los otros productos podrían funcionar incorrectamente.



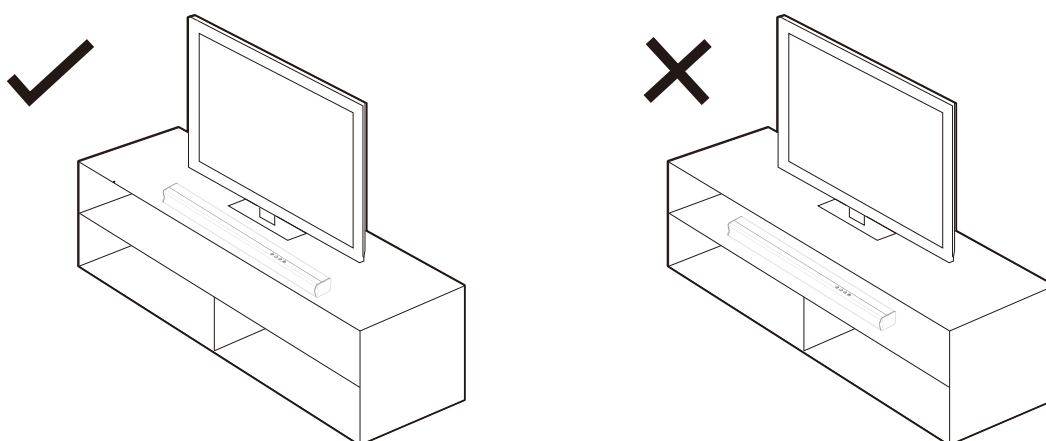
## EMPAREJAR LA BARRA DE SONIDO CON LOS SATÉLITES Y EL SUBWOOFER

- 1** Conecte la barra de sonido REIN gen2 a la alimentación. La barra de sonido entrará en modo de espera: se mostrará "-" en la barra de sonido principal y el indicador LED azul en la parte trasera de los satélites y del subwoofer inalámbrico parpadearán lentamente. Esto significa que la barra de sonido principal no se está emparejando con el satélite ni con el subwoofer inalámbrico.
- 2** Pulse el botón STANDBY en la barra de sonido principal o en el control remoto para encenderla. Pulse el botón INPUT para seleccionar el modo de entrada AUX.
- 3** Mantenga pulsado el botón PAIR en el control remoto. Se mostrará "SUB PAIR" en la barra de sonido principal. Mientras tanto, mantenga pulsado el botón PAIR en la parte trasera de los satélites y del subwoofer inalámbrico hasta que el indicador LED de la parte trasera parpadee rápidamente. Ahora están en modo de emparejamiento.
- 4** Después de unos 20-30 segundos, el indicador LED azul en la parte trasera de los satélites y del subwoofer inalámbrico dejará de parpadear y permanecerá en azul para confirmar que el emparejamiento con la barra de sonido principal se ha realizado correctamente.
- 5** Las unidades se emparejarán automáticamente tras este emparejamiento inicial, incluso si se apagan y se vuelven a encender. Nota: Para que el emparejamiento se realice correctamente, asegúrese de que la barra de sonido principal, los satélites y el subwoofer inalámbrico que desea emparejar estén encendidos y dentro del alcance de conexión. Los demás dispositivos de emparejamiento deben estar apagados o en modo de espera.

## COLOCANDO LA BARRA

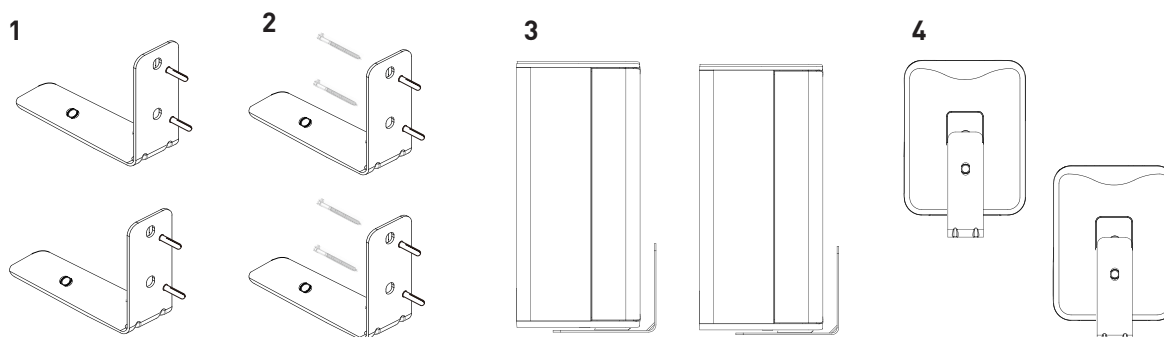
### Colocar sobre una superficie plana

Coloque la barra de sonido horizontalmente sobre una superficie plana, como un mueble de TV o una estantería, y alinéela centrada con la pantalla. Deje algo de espacio entre el altavoz y la pared. No la coloque dentro de un armario ni en una estantería. Siga estas instrucciones para obtener la mejor salida de sonido y una buena circulación de aire alrededor de la barra de sonido.



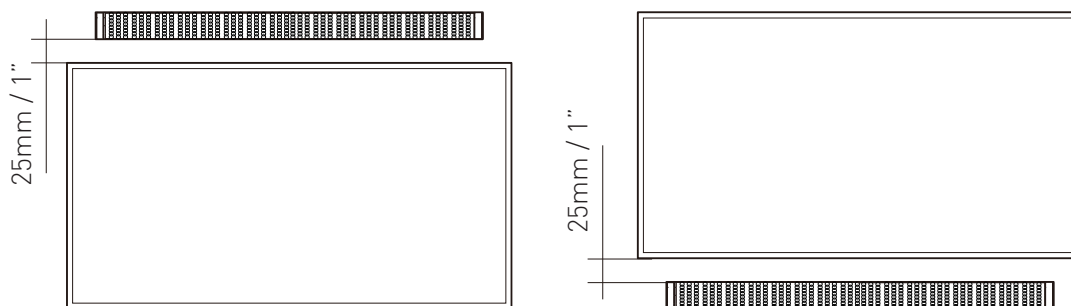
## SIGA LOS PASOS A CONTINUACIÓN PARA MONTAR LOS SATÉLITES EN LA PARED

- 1\_Abra 4 agujeros en la pared. Para conocer la distancia entre los 2 agujeros, consulte el soporte de montaje en pared de la barra de sonido.
- 2\_Fije los tacos de plástico en los 4 agujeros del soporte de montaje en pared.
- 3\_A continuación, fije los tornillos incluidos a los tacos de plástico y apriételes para asegurar que el soporte de montaje en pared no se mueva.
- 4\_Coloque los altavoces envolventes en el soporte con los agujeros correspondientes en la parte inferior. A continuación, fije los tornillos incluidos en la parte inferior del soporte y en los agujeros de los altavoces satélite y apriételes.

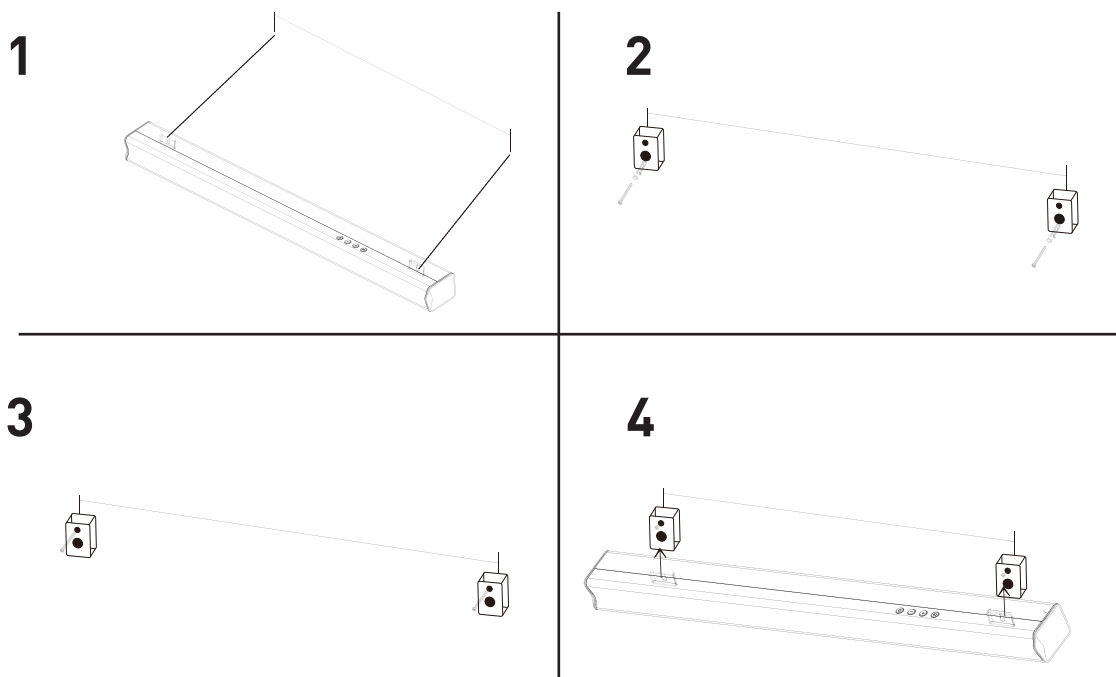


## MONTAJE EN LA PARED

Instale el altavoz en una zona vertical, firme y reforzada de la pared. En paredes de yeso, se recomienda atornillarlo a los montantes para mayor seguridad. Para un rendimiento óptimo, deje una distancia mínima de 25 mm (1 pulgada) entre la barra de sonido y el televisor.



- 1\_ Perfore dos agujeros en la pared a la misma distancia que el soporte de la barra de sonido.
- 2\_ Coloque los tacos de plástico en la pared y fije los tornillos al clip de plástico. No los apriete del todo, deje algo de espacio.
- 3\_ Coloque las dos almohadillas de EVA en el soporte de pared. Esto asegurará que haya suficiente espacio entre la pared y la salida de la barra de sonido (al menos 15 mm).
- 4\_ Una vez fijados los tornillos, cuelgue la barra de sonido insertándolos en el soporte de pared.





---

Thonet & Vander Germany GmbH. All rights reserved. Thonet & Vander®, Deutsche Designtechnik and related trademarks, names and logos are the property of Thonet & Vander Germany GmbH and are registered and/or used in Germany and countries around the world. Other brands and trade names mentioned belong to their respective owners.

Thonet & Vander Germany GmbH. Todos los derechos reservados. Thonet & Vander®, Deutsche Designtechnik y las marcas comerciales, nombres y logotipos relacionados son propiedad de Thonet & Vander Germany GmbH y están registrados y/o utilizados en Alemania y países de todo el mundo. Otras marcas y nombres comerciales mencionados pertenecen a sus respectivos propietarios.



GERMAN  
ENGINEERING  
& DESIGN



GREEN  
SOUND

**Thonet & Vander Germany GmbH**

Königstorgraben 11, (90402) Nürnberg, Germany.

© All rights reserved

info@thonet-vander.com | [www.thonet-vander.com](http://www.thonet-vander.com)